

ESSIE ABOVE COUNTER BASIN

Cat. No
4-8016



Diameter: 11-1/4"
Above counter height: 4"

Features:

- ▶ Above counter basin
- ▶ Vitreous china for durability
- ▶ No overflow
- ▶ Drain not provided
- ▶ Can be used with grid drain #5601 or umbrella drain # UD701 (Not included)

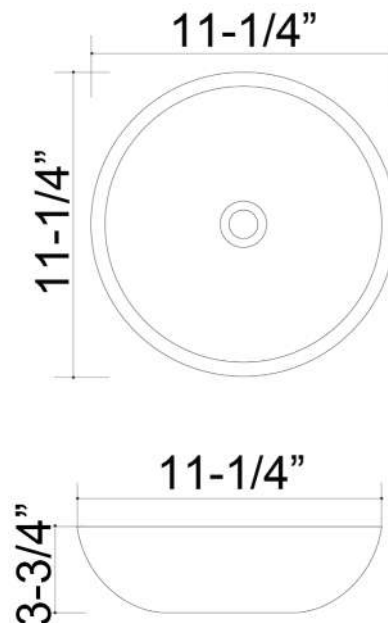
Colors:
WH White

Compliance Certification
Meets or exceeds the following specifications: ASME A112.19.2:2013 and CSA B45.1-13 for ceramic plumbing fixtures.

***Please do NOT drill hole without template or actual product.**

Interior Dimensions:

Basin Diameter: 10-1/4"
Basin Depth: 3-1/4"
Back of basin to center of drain: 5-1/2"



Dimensions of fixture are nominal and may vary within the range of tolerances established by AMSE Standard A112.19.2.2013 Dimensions and specifications subject to change without notice.